

Herald



SUPERIOR CHOICE
Heating Solutions



hunterstoves
GROUP

Contents

Inspired by the past,
ready for the future...

Herald 8	Page 1
Herald 14	Page 2
Inglenook High Output	Page 3
Double Sided Herald 8	Page 4
Double Sided Herald 14	Page 5
Telford Inset Boiler 20B	Page 6
Herald 8 Boiler Stoves	Page 7
Herald 14 Boiler Stoves	Page 8
80B Boiler Stoves	Page 9
Range / Options	Page 10-11
Technical Key/ Warranty / FAQs	Page 12-13



NB. All images are for illustrative purposes only

Herald 8

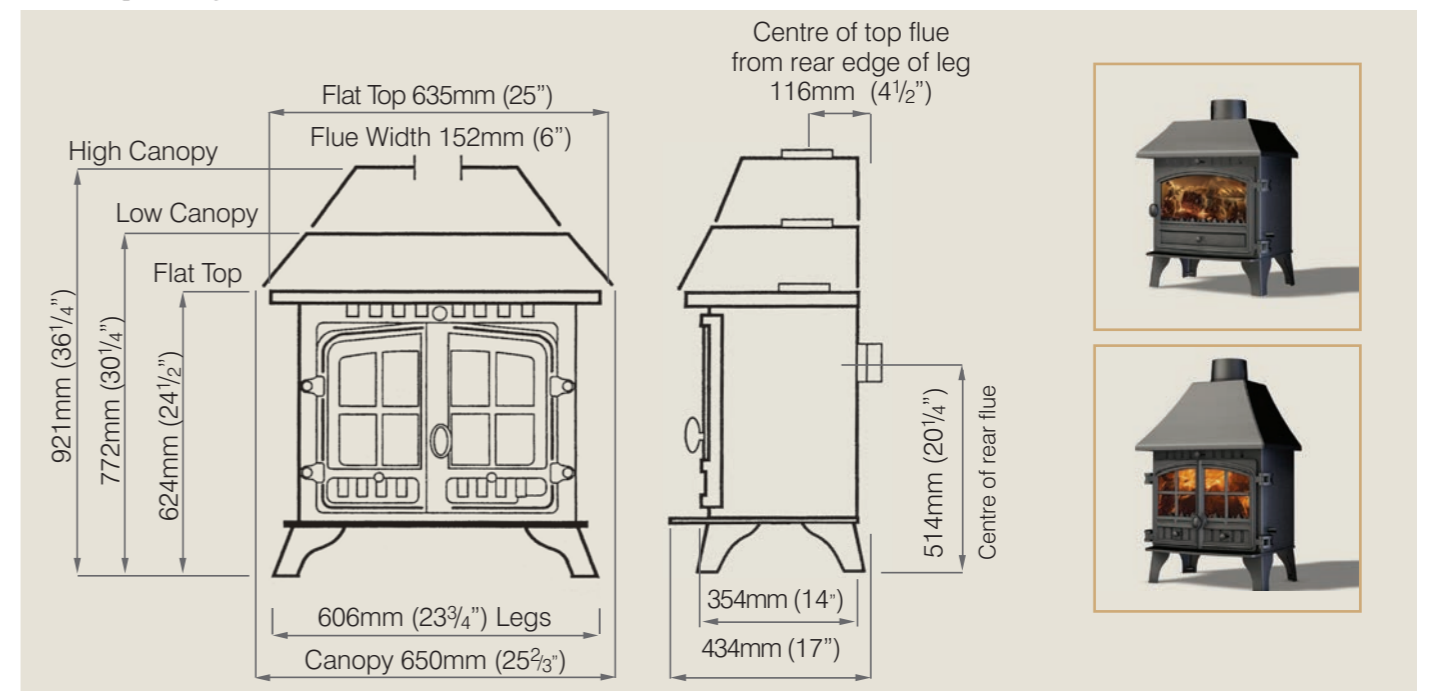
HEATING SOLUTIONS   



Warming toes all over the world, the Herald 8 is one of our bestsellers. At 78.9% efficiency, it's incredibly efficient for its size. Complete with our Cleanburn and Tripleburn® technology, you can rest easy knowing your Herald 8 will be working hard getting as much value as possible out of every piece of fuel you use. Good looks, tried and tested technology and incredible value for money – what else could you possibly need?



Heat Output Range – 6kW – 11kW

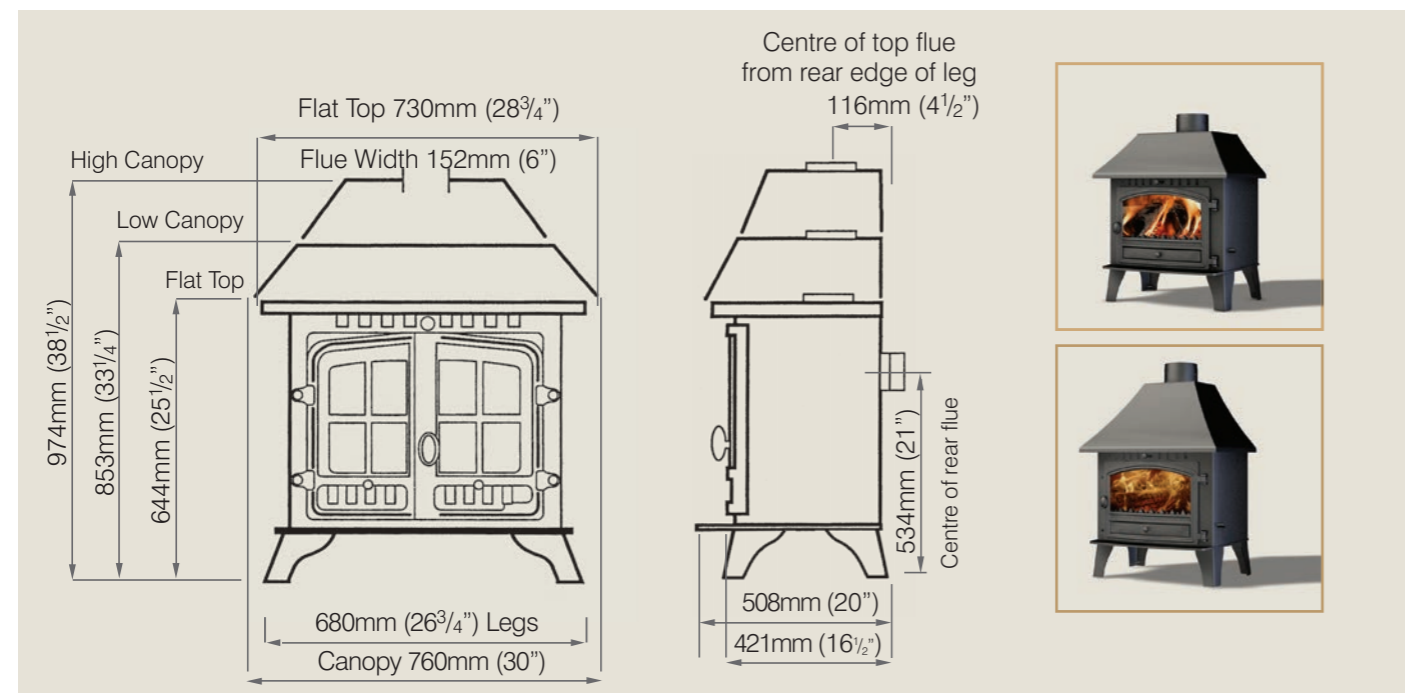


Herald 14



A real fire can create quite the atmosphere, but this used to come at an awfully high environmental cost – not any more. With a fantastic 78.6% efficiency, our Herald 14 will elevate your carbon conscience. With our frequently imitated and never replicated Cleanburn technology, you can load up the large fire bed with your chosen fuel and be confident that your Herald 14 will burn away happily on its own, needing minimum attention but giving maximum output.

Heat Output Range – 8kW – 15kW



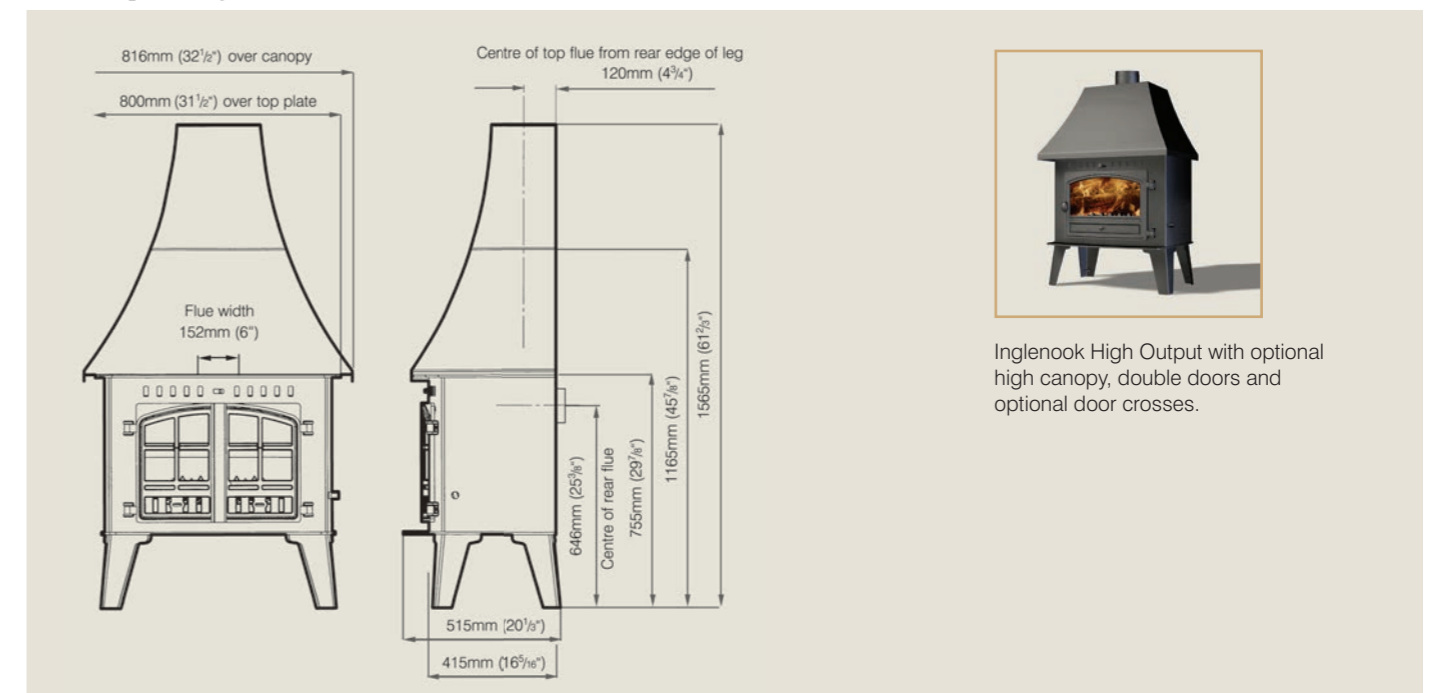
Inglenook High Output

HEATING SOLUTIONS   



Our immense Inglenook High Output stove is perfect for rooms on the larger side, giving a maximum output of 20kW that can easily heat the coldest of chambers. For large fireplaces, add the Inglenook canopy for a striking feature that's bound to impress. There's more behind the pleasing aesthetics though – with our dependable technologies working behind the scenes, you'll be safe in the knowledge that your Inglenook is taking care of your heating needs whilst taking pride of place in your living space.

Heat Output Range – 8kW – 20kW



Herald 8

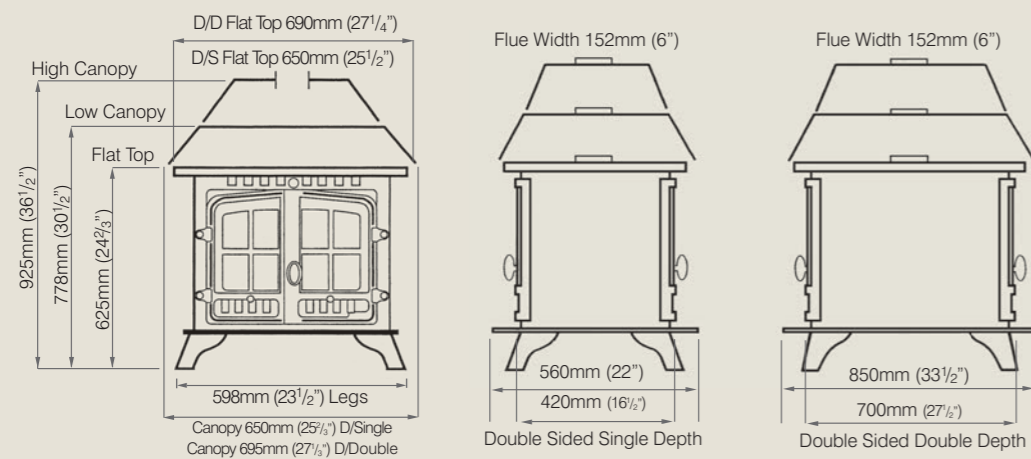
Double Sided



Enjoy twice the cosiness and twice the comforting view of your new fire. The Herald 8 Double Sided is designed either to sit in an open fireplace and heat two adjacent rooms using the same fuel load, or to give a striking focal point in your open plan living space. Either way, the Herald 8 Double Sided provides exceptional heat from minimum fuel thanks to our remarkable Tripleburn® technology.



Herald 8 Double Single - Heat Output Range – 6kW – 11kW
 Herald 8 Double Double - Heat Output Range – 8kW – 18kW



Herald 14

Double Sided

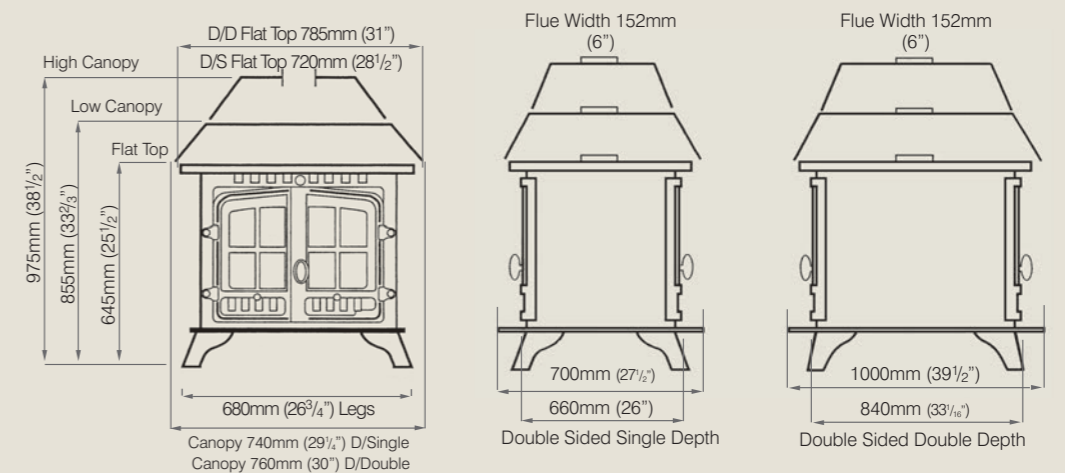
HEATING SOLUTIONS   



Bring your open plan living space alive! The Herald 14 Double Sided radiates heat 360° to warm the largest of rooms, and of course creates a stunning focal point. Don't worry about having to choose size over quality, because this model delivers both in spades. Complete with our Tripleburn® technology to warm you quickly and effectively and our Hot Air Wash to keep your glass clean and clear, the Herald 14 Double Sided is the perfect companion as the nights draw in.



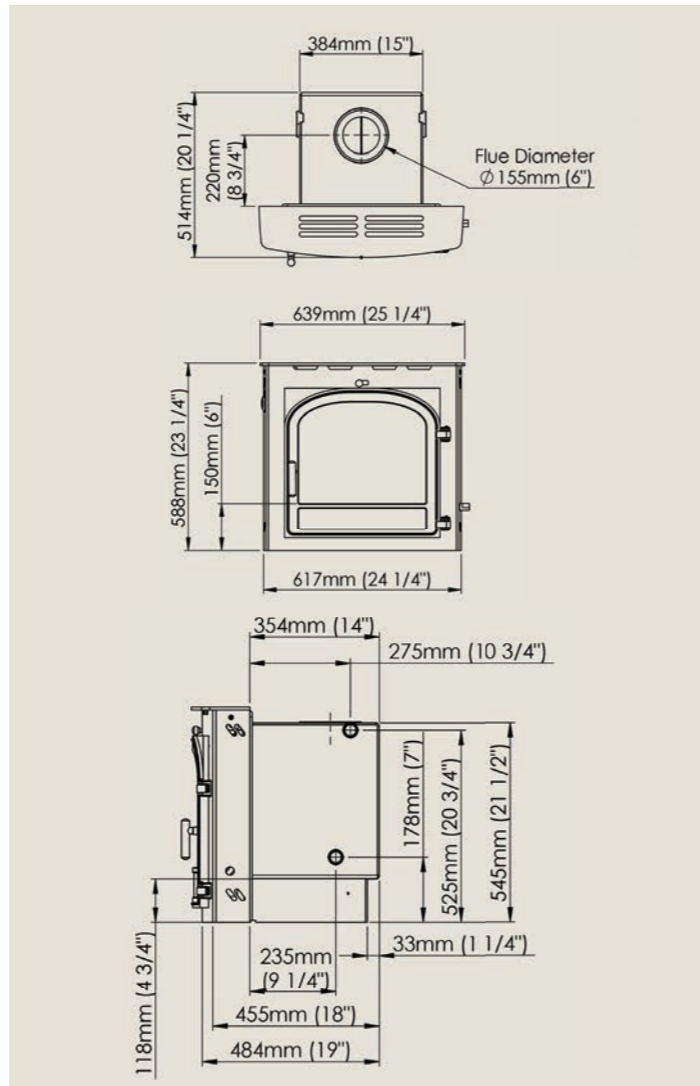
Herald 14 Double Single - Heat Output Range – 8kW – 15kW
 Herald 14 Double Double - Heat Output Range – 14kW – 25kW



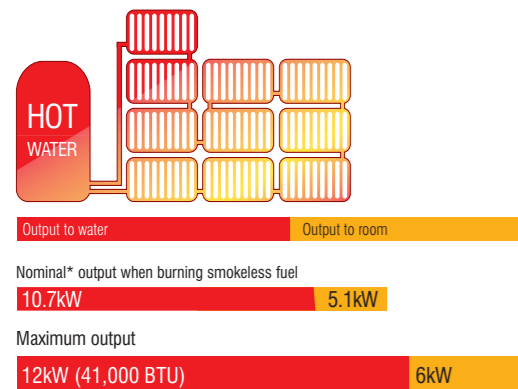
Telford 20^B Boiler Stove



If your central heating system is out-dated, uninviting or getting in the way of your everyday life, then our new Telford Central Heating stove is the solution. Instead of a space-consuming boiler, a stunning inset fire drives your central heating and offers the comforting glow of real flames. With an impressive 10.4kW boiler and a cosy 5.1kW to your room, it's guaranteed to keep you snug all winter long.



Wraparound Boiler



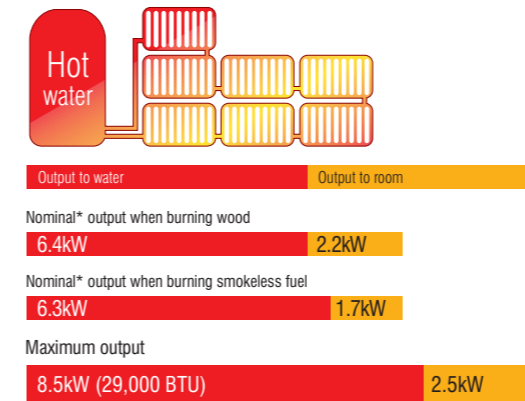
Herald 8 Boiler Stove

HEATING SOLUTIONS   

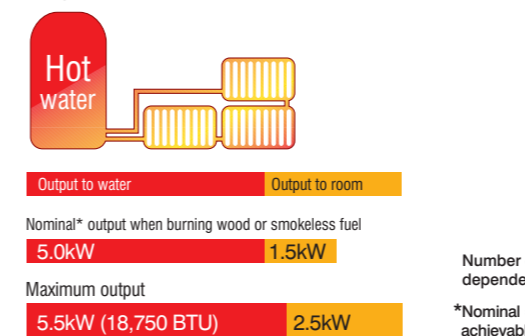


As well as keeping your room cosy, the Herald 8 Boiler model is able to heat your entire house and hot water. Its Tripleburn® technology ensures as much energy from your fuel as possible is being used to warm your home, which is perfect for the eco-conscious stove user. The flame picture is simply mesmerising, and thanks to our Hot Air Wash keeping the glass clean and clear, you'll be able to watch your Herald 8 hard at work.

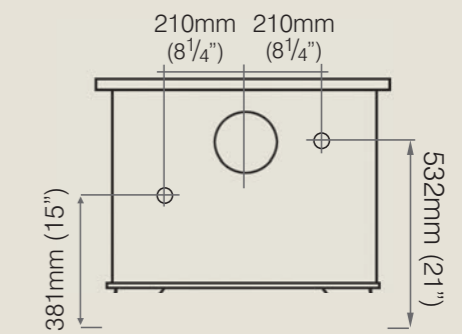
Wraparound Boiler



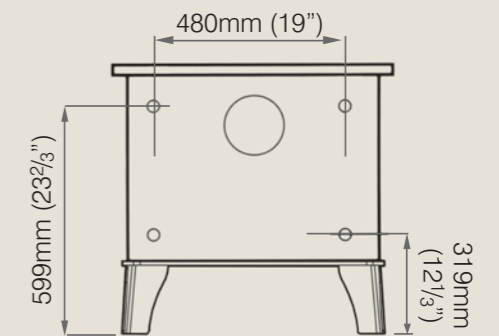
Clip-in Boiler



Number of radiators is dependent on size
*Nominal = the minimum achievable heat output



Clip-in Boiler Outlets



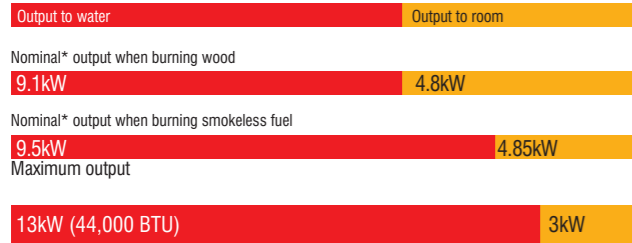
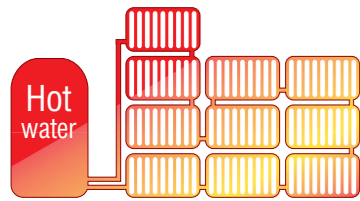
Wraparound Boiler Outlets

Herald 14 Boiler Stove

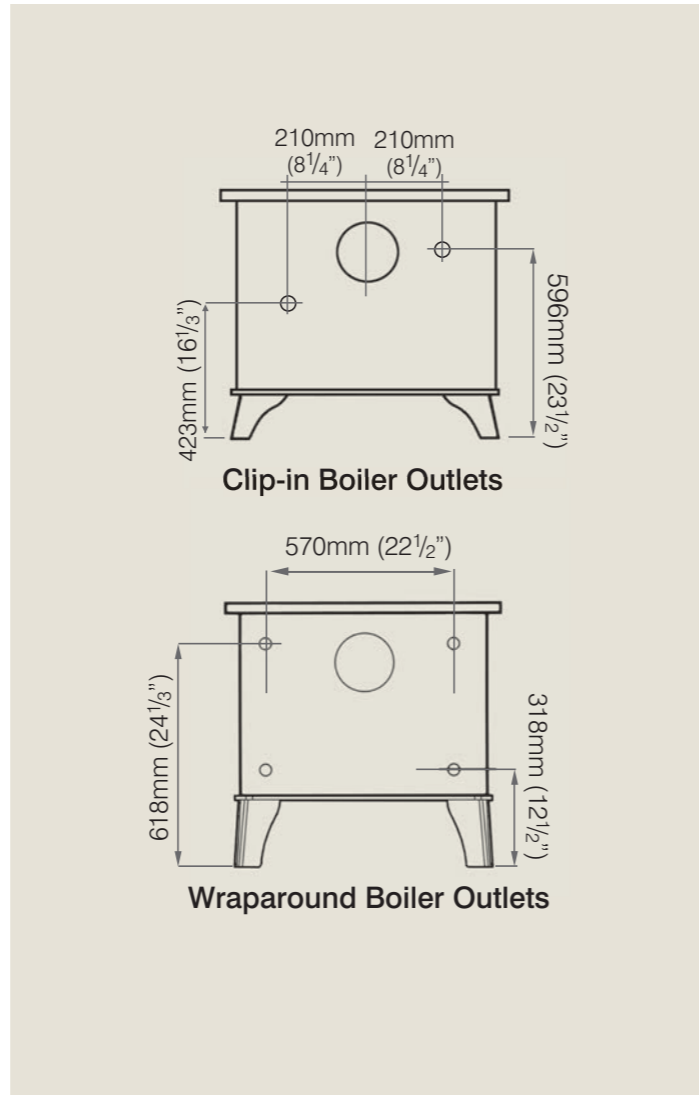
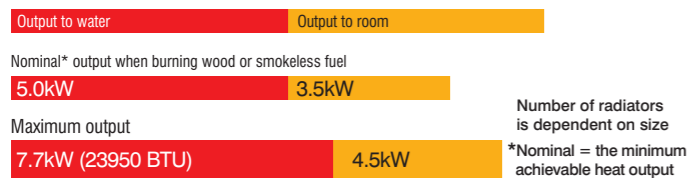
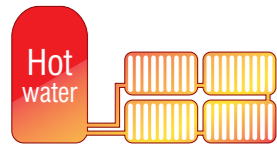


Home is where the hearth is and there is nothing better than curling up in front of a warm fire of an evening, unless it's also knowing your fire is warming your entire house as well! Fill the generous firebox with your chosen fuel and watch as the Herald 14's amazing Tripleburn® technology works its magic. All you have to do is sit back, relax and enjoy.

Wraparound Boiler



Clip-in Boiler



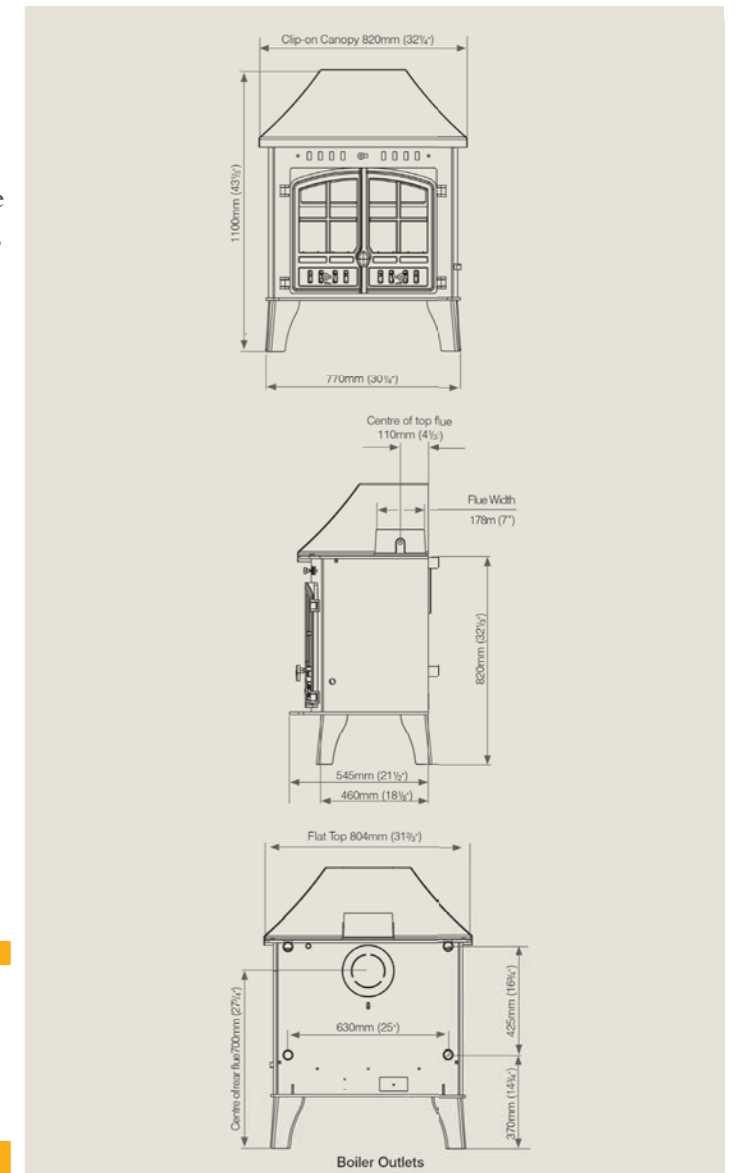
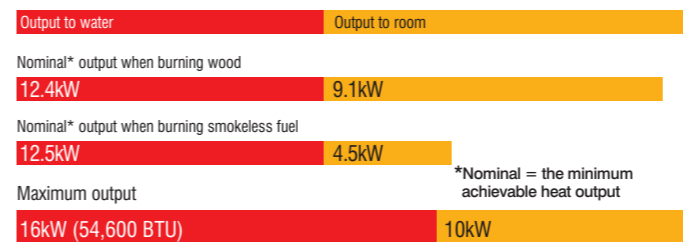
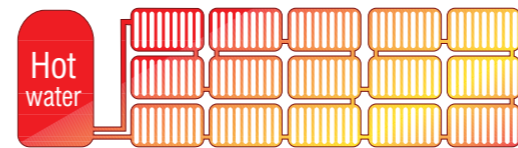
Herald 80^B Boiler Stove

HEATING SOLUTIONS   



You'll never be cold again with our Herald 80B running your central heating. It's our most powerful boiler yet, having been designed to run up to 15 radiators and your hot water. Not only will you be benefiting from cheaper heating bills, but you will get all of our tried and tested technology. Cleanburn and Tripleburn® technologies make sure the 80B is as economical and eco-friendly as possible, and you won't even have to lift a finger to keep the glass clean as our Hot Air Wash will do that for you.

Wraparound Boiler



The Superior Range

CE Tested and Approved

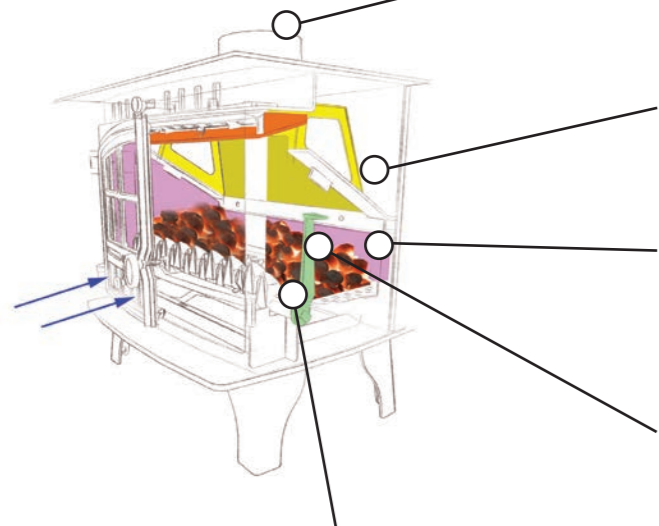
All the stoves in the Hunter Superior Choice range meet the stringent CE approval test requirements.

New Hunter Cleanburn Technology

Cleanburn technology means that more of the fuel is ignited, resulting in an increased heat output, less smoke, and a cleaner environment.

Exceptionally Efficient

Currents of air inside the stove ensure that fuel is burnt evenly and efficiently.



From Wood to Multi-Fuel with a Single Movement of the Tool

The stove's integral grate can be changed from wood to multi-fuel setting with a single movement of the cool - handled riddling tool.

Safe and Efficient for Over-Night Burning

By reducing the air inflow to an absolute minimum, you can keep the fire gently smouldering overnight. Come morning, increase the air flow and the fire will return to life.

Dust Free, Safe and Easy Riddling

The riddling tool enables you to clean the grate without causing clouds of dust. Just move it back and forth with the doors closed.

Interchangeable Flue Outlets

All of the stoves in the Hunter Superior Choice range can be flued from either the top or the rear of the stove.

Easy Access for Chimney Sweeping *

Every stove features a removable throat-plate, giving full and easy access for sweeping the chimney.

Internal Lining System

The new internal lining system maximises the firebox temperature, ensuring complete combustion.

Cold-handled Riddling Tool

The cold-handled riddling tool can be used for opening and closing the doors, riddling the grate, grate adjustment and easy removal of the ash-pan.

NB.

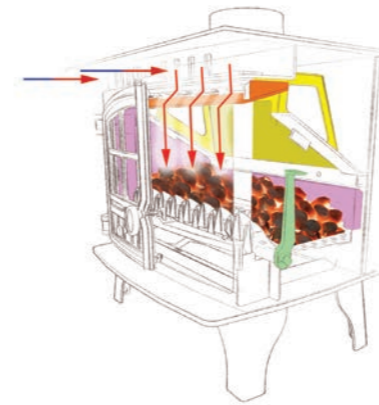
Central Heating Stoves

Central heating stoves have no internal lining system

* This is not possible if a clip in boiler is fitted

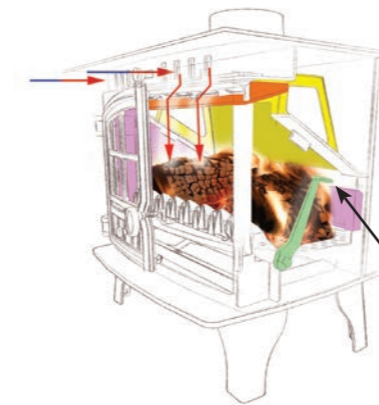
No need to scrub the glass door

Our innovative airwash draws air from the top of the stove, heats it up in the central air chamber and then sends it down behind the glass door, creating a screen between the fire and the glass. Smoke or combustion particles do not come into contact with the glass, so you don't need to clean it.



Optimum Woodburning Conditions

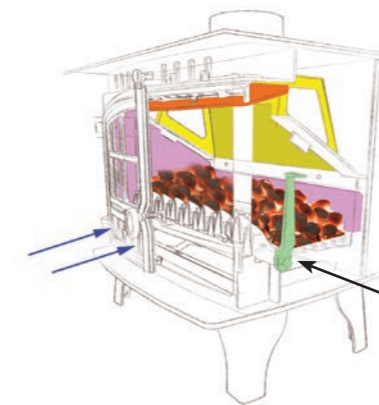
Three streams of hot air ensure that fuel is burned efficiently by maximising combustion. For wood, close the grate and allow a deep bed of ash to build up - the optimum conditions for combustion.



Grate in 'back' closed position for burning wood

Optimum Solid Fuel Burning Conditions

When you're burning smokeless fuel, just switch the grate to the open position. Air flows beneath the grate and into the heart of the fire - the optimum conditions for burning solid fuel.



Grate in 'forward' open position for burning solid fuel

All the Herald stoves are manufactured from high quality 5mm thick steel and have cast iron components.

Technical Key

Optional spark guard
(Double door only)



Optional flue gather box, for rear flue installations and limited space installations



Optional flue damper

	Herald 8	Herald 14	Inglenook	Herald 8	Herald 8	Herald 14		Herald 14	Telford 20B	Herald 8	Herald 14	Hunter 80B
	Room Heater	Room Heater	Room Heater	Double single	Double Double	Double single		Double Double	Central Heating (41000btu boiler)	Central Heating (29000btu boiler)	Central Heating (44000btu boiler)	Central Heating (54,600btu boiler)
Heat output range to room	6 - 11kW	8 - 15kW	8 - 20kW	6 - 11kW	8 - 18kW	8 - 15kW		14 - 25kW	5kW-6kW	1.7 - 2.2kW	3 - 4.8kW	4.5 - 10kW
Efficiency on wood	78.9%	78.6%	78.4%	74.3%	79%	75.7%		71.1%	69.9%	73.4%	73.6%	71%
CO Emissions on wood	0.38%	0.57%	0.40%	0.70%	0.36%	0.44%		0.35%	0.33%	0.52%	0.50%	0.38%
Nominal output	9.1kW	11.9kW	10.2kW	8.9kW	11.5kW	12.5kW		17.8kW	15.8 kW	8.6kW	14.3kW	21.5kW
Low Canopy option	•	•	•	•	•	•		•	~	•	•	•
High Canopy Option	•	•	•	•	•	•		•	~	•	•	~
Double door option	√	√	√	√	√	√		√	~	√	√	√
Single door option	•	•	•	•	•	•		•	√	•	•	~
Wood Burning only*	•	•	•	•	•	•		•	~	•	•	•
Cross Kit Double Door only	•	•	•	•	•	•		•	~	•	•	•
Brass Knob	•	•	•	•	•	•		•	~	•	•	•
Flue Damper	•	•	•	•	•	•		•	~	•	•	•
Multi fuel Extention	•	•	•	•	•	•		•	~	•	•	•
Sparkguard (double door only)	•	•	•	•	•	•		•	~	•	•	~
Flue Gather Box	•	•	•	~	~	~		~	~	•	•	~
Ventilation	2255 mm ²	3795 mm ²	2860 mm ²	2145 mm ²	3520 mm ²	4565 mm ²		7040 mm ²	5940 mm ²	1980 mm ²	5115 mm ²	9075 mm ²
Leg lengths	6" - 152mm	7" - 178mm	9 1/4 - 235mm	6" - 152mm	6" - 152mm	7" - 178mm		7" - 178mm	6" - 152 mm	6" - 152mm	7" - 178mm	8" - 200mm
Log length (approx)	19 3/4 - 500mm	19 3/4 - 500mm	19 3/4 - 500mm	19 3/4 - 500mm	19 3/4 - 500mm	19 3/4 - 500mm		19 3/4 - 500mm	19 3/4 - 500mm	19 3/4 - 500mm	19 3/4 - 500mm	21" - 533mm
Weight (flat top, multifuel)	120 kg	145 kg	160 kg	140 kg	230 kg	165 kg		270 kg	128 kg	133 kg	163 kg	218 kg



√ = standard
• = option
~ = not available

1. Boiler output, see page 20

NB Ventilation is dependent on the permeability rating of the building. For further details please visit:

<http://www.planningportal.gov.uk/buildingregulations/approveddocuments/partj/approved>

and download the free copy of Document J. Info about the ventilation and air permeability ratings is table 1 on page 29.



*All stoves are multifuel as standard

10 Year Warranty

All Hunter Stoves authorised dealers provide you with an extended 10-year warranty. For full warranty specifications and terms and a list of authorised stockists, please visit www.hunterstoves.co.uk.

Heat outputs are dependent on fuel load and installation parameters. Overnight burning is dependent on fire box size, fuel load etc. Many thanks to B D Brooks Fireplaces, BWF Humphries, Focus Fireplaces for the provision of fireplaces/photography. Hunter Stoves Limited has a policy of continuous product improvement and therefore reserves the right to change specifications and designs at any time without prior notice.

Hunter Stoves Ltd. strongly recommends that the suitability of any installation should firstly be agreed with a HETAS qualified installer or similarly competent professional, to ensure compliance with the recent changes to the Building Regulations. Hunter Stoves Ltd. will not be held responsible for any losses, however arising, from inappropriate installations by unqualified or non-competent installers. An inappropriate installation may also invalidate claims made under a manufacturer's warranty or guarantee. NB. Please note that all weights are approximate and could vary slightly.

FAQs

HOW MUCH SPACE WILL MY STOVE NEED?

With all our freestanding units it is safe to install with a clearance of 2" (50mm) either side and above the stove to NON Combustible material. However for optimum performance and heat output we recommend a clearance of 6" (150mm). Behind the stove there should be a minimum clearance of 2" (50mm) however we recommend 4" (100mm) to enable access to the Tertiary Air inlet.

For all our units the hearth should extend 300mm in front of the appliance (from the door opening)

WHAT IS A NOMINAL HEAT OUTPUT?

The nominal output is the output achieved under specific test conditions by the independent test laboratory. The stoves tend to be operated with the air controls set at less than maximum and with relatively modest fuel loads. We recognise that end users are unlikely to operate the stoves in this way and therefore we carry out internal testing to suggest a reasonable Heat Output Range that the customer should achieve without over firing the unit.

Herald

8 Emperor Way Exeter Devon EX1 3QS

www.hunterstoves.co.uk • info@hunterstoves.co.uk

